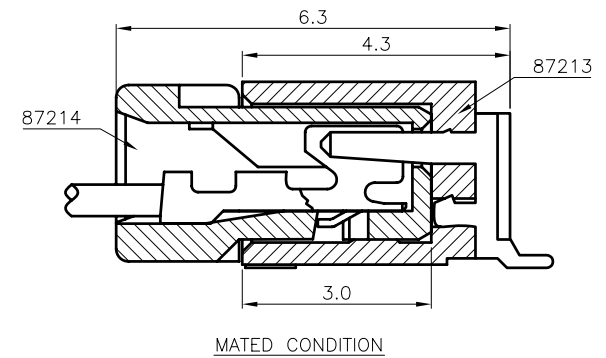
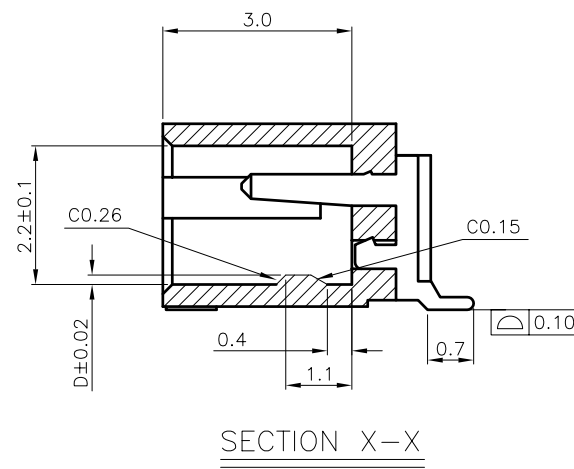
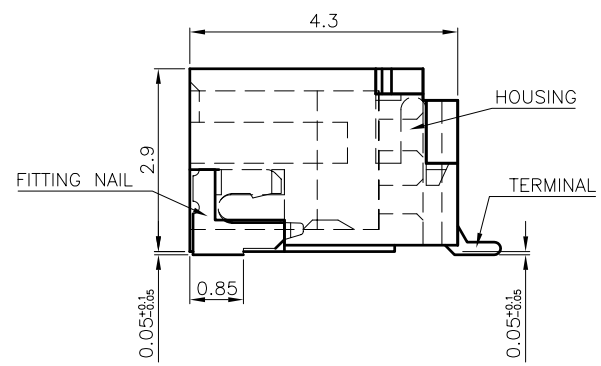
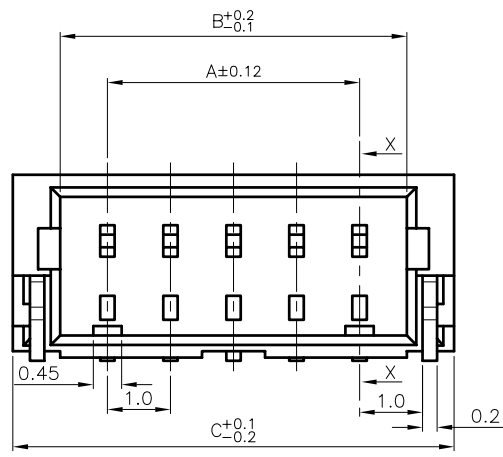


RECOMMENDED PCB LAYOUT
GENERAL TOLERANCE ±0.05



MATED CONDITION



SECTION X-X

CKT	Dim A	Dim B	Dim C	Dim D
2	1.0	2.4	4.0	0.20
3	2.0	3.4	5.0	
4	3.0	4.4	6.0	
5	4.0	5.4	7.0	0.15
6	5.0	6.4	8.0	
7	6.0	7.4	9.0	
8	7.0	8.4	10.0	0.08
9	8.0	9.4	11.0	
10	9.0	10.4	12.0	
11	10.0	11.4	13.0	0.08
12	11.0	12.4	14.0	
13	12.0	13.4	15.0	
14	13.0	14.4	16.0	0.08
15	14.0	15.4	17.0	
16	15.0	16.4	18.0	
17	16.0	17.4	19.0	0.08
18	17.0	18.4	20.0	
19	18.0	19.4	21.0	
20	19.0	20.4	22.0	0.08
22	21.0	22.4	24.0	
24	23.0	24.4	26.0	
26	25.0	26.4	28.0	

- NOTES:
- MATERIAL:
 - HOUSING: HALOGEN FREE PLASTIC, HIGH TEMP.,UL94V-0.
 - CONTACT: COPPER ALLOY
 - FITTING NAIL: COPPER ALLOY
 - FINISH:
 - CONTACT: 50~100u" NICKEL UNDERPLATING OVERALL.
1:GOLD FLASH PLATING(1~3u") OVERALL.
N:100~200u" MATT TIN PLATING ON SOLDER TAILS,
L:100~200u" PURE TINPLATING OVERALL.
8:120u" MIN. Pure-Tin ON SOLDER TAIL,4U"GOLD
C:15U"GOLD ON CONTACT FAR LEAD FREE ON CONTACT AREA .
T:120~170u" NICKEL UNDERPLATING OVERALL
10U"GOLD ON CONTACT
 - FITTING NAIL: 50~100u" NICKEL UNDERPLATING OVERALL.
G:GOLD FLASH PLATING(1~3u") OVERALL.
N:100~200u" MATT TIN PLATING ON SOLDER TAILS,
L:100~200u" PURE TINPLATING OVERALL.
 - REFLOW SOLDER CAPABLE TO 260°C PER ACES SPEC.
 - SPEC. PLS. REFER TO PS-50224-xxxx-xxx
 - PACKAGE PLS. REFER TO 87213-XXXX-xxx-TRP & 50224-XXXX-AXX-TRP & 50224-XXXX-XXX-TRP
 - PART NUMBER

P/N LEGEND

50224-XXX X X - XXX

- NO OF CKT _____
- PACKING _____
0:TAPE & REEL
1:TUBE
- PLATING _____
L:LEAD FREE(PURE TIN)
1:G/F OVER ALL(LEAD FREE)
C:15u"GOLD ON CONTACT
N:MATT TIN(LEAD FREE)
T:10U"GOLD ON CONTACT

HOUSING COLOR	HALOGEN FREE	PACKAGE	Others
BLACK	HF	87213-XXXX-TRP	001
NATURAL	HF	87213-XXXX-TRP	002
BLACK	HF	87213-XXXX-U-TRP	S01
NATURAL	HF	87213-XXXX-U-TRP	S02

一般公差 TOLERANCES X ±0.5 .XX ±0.15 X ±0.25 .XXX ±0.1 ANGLES ±2°		宏致電子股份有限公司 Aces Electronics Co.,Ltd.	
檢驗尺寸標示 SYMBOLS INDICATE CLASSIFICATION DIMENSION MARK IS CRITICAL DIM. MARK IS MAJOR DIM.	品名 (TITLE) 1.0mm WTB CONN. SMT R/A S/R TYPE 圖號 (DWG.NO) 50224-xxxx-xxx	製圖 (DR) 14/10/22 YANGYANG 審核 (CHKD) DAVID 核准 (APPD) FRANK	張數 (SHEET) 1 OF 1 尺寸 (SIZE) A4 單位 (UNITS) mm 比例 (SCALE) 8:1
表面處理 (FINISH)	單位 (UNITS) mm	張數 (SHEET) 1 OF 1	尺寸 (SIZE) A4